

INSTALLATION INSTRUCTIONS

WARNING: NEVER EXCEED YOUR VEHICLE MANUFACTURER'S RECOMMENDED TOWING CAPACITY

HITCH-MOUNTED BIKE RACK



WARNINGS

Failure to use support straps on trailer hitches with 1 1/4" receiver tubes voids the trailer hitch and bike rack warranties.

Check straps for wear, and replace if worn.

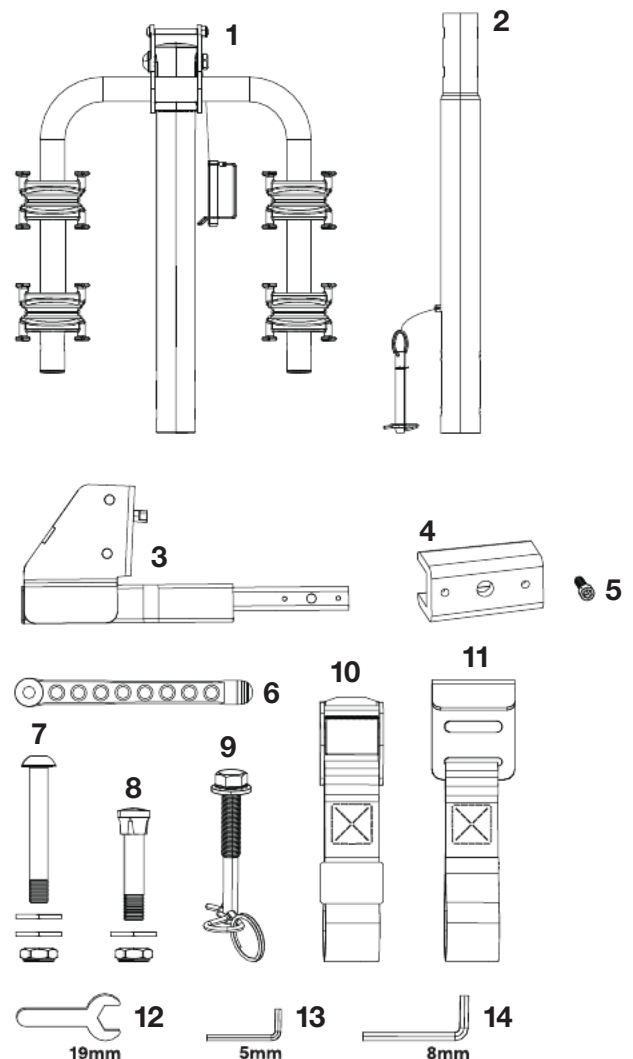
This product is not intended for off-road use, tandems or recumbents.

Do not install on a trailer or other towed vehicle.

Check tightness of all bolts periodically.

PARTS LIST

Item#	Qty	Description
1	1	Arm post
2	1	Connecting post
3	1	Shank, 1 1/4"
4	1	U-type plastic shank adapter, 2"
5	2	Adapter set screw
6	6	Arm straps, rubber
7	1	Bolt kit, hex head (bolt, two washers, nut)
8	2	Bolt kit, (bolt, one washer, nut)
9	1	Anti-rattle bolt and clip
10	1	Support strap buckle
11	1	Support strap cinch
12	1	Wrench, 19mm
13	1	Allen wrench, 5mm
14	1	Allen wrench, 8mm



ASSEMBLY

Step 1

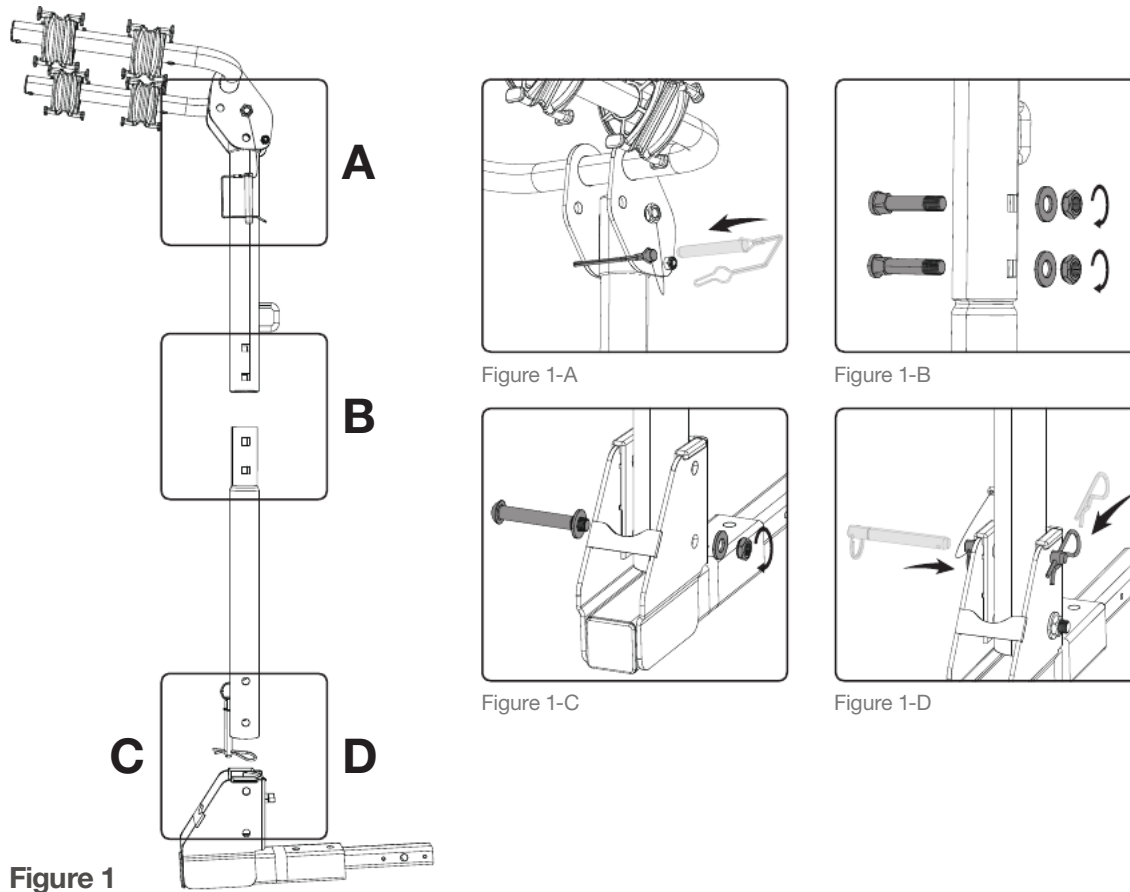
Raise the arms to the outright position, and secure with the attached lynch pin. See figure 1-A.

Step 2

Connect the arm post (#1) and the connecting post (#2) using bolt kit (#8). See figure 1-B.

Step 3

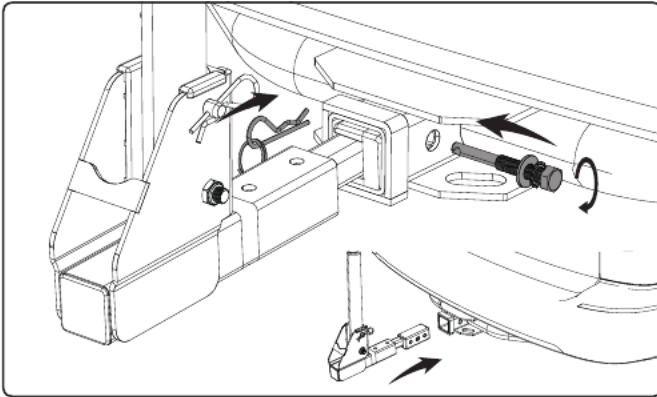
Using the hex head bolt kit (#7), attach the bottom of the connecting post (#2) to the shank (#3). Make sure to install the bolt in the bottom hole. See figure 1-C. Insert the bolt that is connected to the post through the top hole of the shank and secure with the provided clip. See figure 1-D.



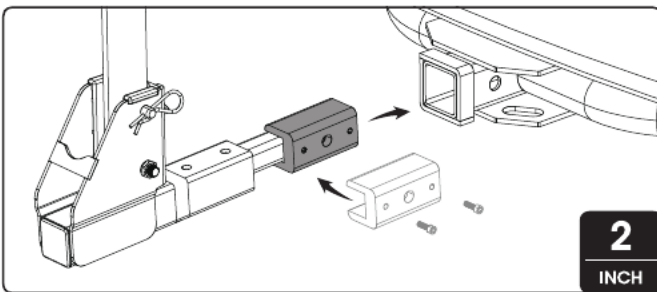
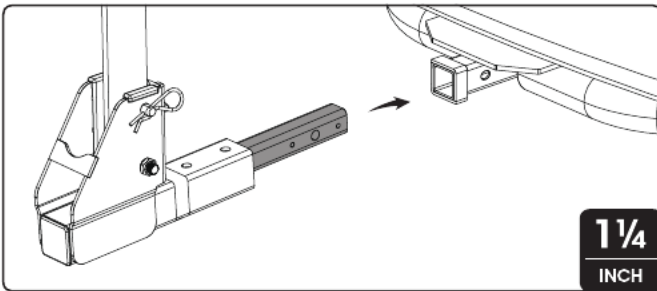
INSTALLATION

Step 1

Insert the bike rack shank into the vehicle receiver tube. Secure with 1/2" hex head bolt, flat washer, star washer and clip (#9).



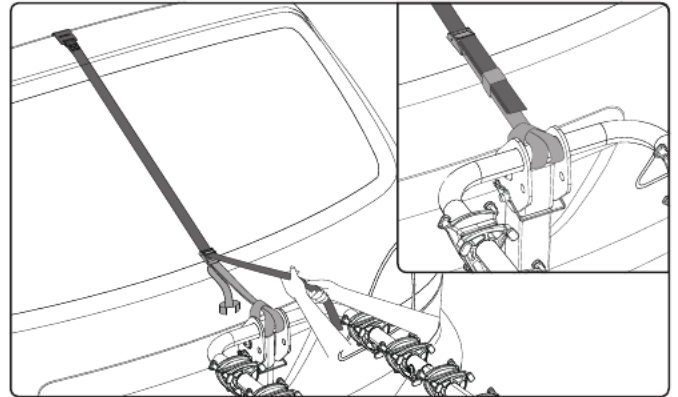
Note: To adapt the 1 1/4" shank to fit a 2" receiver tube opening, assemble the U-type adapter (#4) onto the 1 1/4" shank (#3). Align the holes and secure with 1/2" hex head bolt, flat washer, star washer and clip (#9).



Step 2

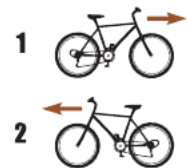
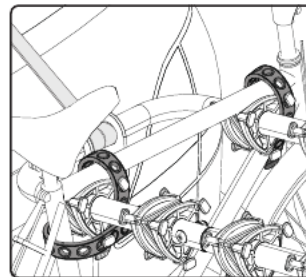
Install the safety support strap. Loop the strap (#11) to the center section of the bike rack where the arms connect to the bike rack post, as shown in the figure below. Hook the strap buckle (#10) to the back of the tow vehicle. Cinch the strap until there is no bounce in the rack. Secure the extra strap length.

WARNING: Any bike rack with a 1 1/4" shank requires the use of a support strap (CURT #18050). Failure to use a support strap will void the warranty of the trailer hitch and bike rack.

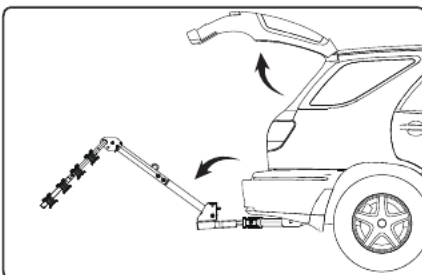


Step 3

Install the bikes on the rack and secure with the provided rubber bike arm straps (#6). Be sure to secure the cross post and seat post to the rack. **Note:** When towing more than one bike, be sure to alternate the directions the bikes are facing on the rack. First bike faces right, 2nd bike faces left. See the figure below.



FOLDING FEATURES



At the base, remove the clip from the upper bolt holding the bike rack in the vertical position. Remove the bolt and tilt the rack away from the vehicle. The rear cargo area is now accessible.

At the top, pull the lynch pin that secures the arms in the outward position. Fold the bike rack arms down to the transport position, and replace the lynch pin.

