

INSTALLATION MANUAL

18113

Level of Difficulty

Easy

Parts List

Qty	Description	#
1	Cargo carrier frame	1
1	Support bracket	2
4	Eye bolt, M10	3
4	U-clamp	4
4	Lock nut, M10	5

Tools Required

Open wrench, 17mm	Torque wrench
Socket, 17mm	--

Weight Capacity

500 lbs.	227 kg
----------	--------

Product Registration

CURT Group stands behind our products with industry leading warranties. You can help us continue to improve our product line and help us understand your needs by registering your purchase by visiting:

warranty.curtgroup.com/surveys

At CURT Group, customer is king. We value your feedback and we use that information to make improvements on our products. Please, take a minute and let us know how we are doing.

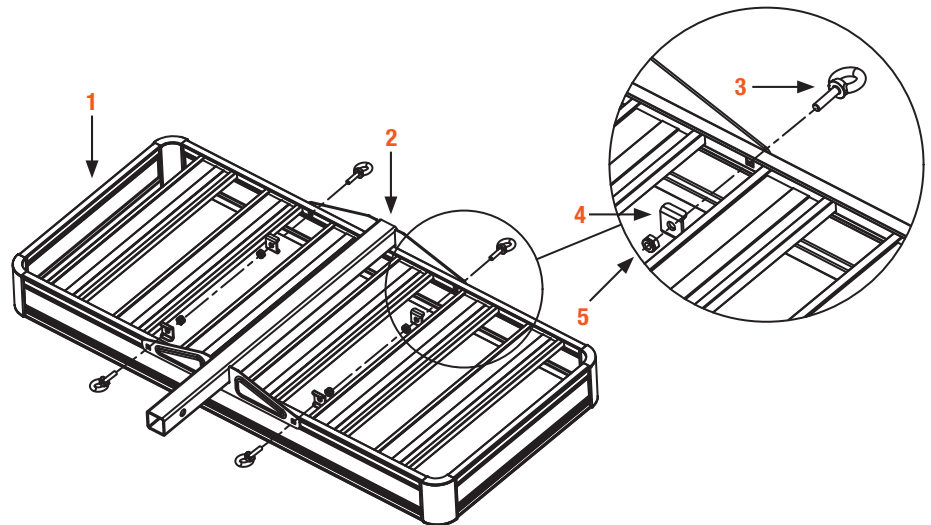
⚠ WARNING

Do not carry flammable items on the carrier. Do not allow exhaust fumes to blow directly on items in the carrier. This is a fire hazard.

Product Photo



Assembly



Notes and Maintenance

Before you begin installation, read all instructions thoroughly.

Proper tools will improve the quality of installation and reduce the time required.

Distribute the weight evenly on the platform when hauling a load. This carrier is not intended for transporting people.

Do not carry loads wider or deeper than the carrier.

Mild automotive detergent may be used to clean the product. Do not use dish detergent, abrasive cleaners, abrasive pads, wire brushes or other similar products that may damage the finish.

Step 1

Place the cargo carrier frame (#1) on a flat surface facing down.

Align the mounting holes in the support bracket (#2) with the holes in the carrier frame. Place an M10 eye bolt (#3) through the support bracket and carrier frame.

Place a U-clamp (#4) onto the M10 eye bolt and secure with an M10 lock nut (#5).

Repeat for all attachment points.

Tighten all M10 hardware to 12 ft-lbs.

Note: Overtightening hardware may cause damage to product or hardware.

Once assembled, insert the shank into the receiver tube of the tow vehicle and align the holes. Secure with a pin & clip (not included).

