

# INSTALLATION MANUAL

# 18150

## Level of Difficulty

Easy

Installation difficulty levels are based on time and effort involved and may vary depending on the installer level of expertise, condition of the vehicle and proper tools and equipment.

## Weight Carrying Capacity

Weight capacity 500 lbs.

## Parts List

Item	Qty	Description
1	2	Platform frame, half
2	1	Shank, 2"
3	2	Connecting plate
4	2	Lock nut, M12
5	2	Flat washer, M12
6	2	Hex bolt, M12 x 75mm
7	8	Lock nut, M10
8	8	Flat washer, M10
9	8	Carriage bolt, M10 x 20mm

## Tools Required

Wrench, 17mm	Adjustable wrench
Wrench, 19mm	--

## Torque Specifications

M10 bolt	16 ft.-lbs.
M12 bolt	28 ft.-lbs.

Use above torque setting unless otherwise noted

## ⚠ WARNING

Never exceed the vehicle manufacturer's recommended towing capacity.

Do not exceed maximum weight capacity of 500 lbs. when using 2" receiver tube. Distribute the weight evenly on platform when hauling a load.

Do not carry loads taller, wider or deeper than the cargo carrier. Do not carry flammable items on carrier or allow exhaust fumes to blow directly on your cargo. This is a fire hazard.

Always use caution when in reverse (R) to help avoid personal injury.

Loads must be evenly distributed.

Never use as a step or platform - injury may result.

Do not use to carry flammable items or allow exhaust fumes to blow directly on items in the carrier - fire hazard.

Do not use to transport people.

Do not block brake lights or turn signals.

## Product Photo



## NOTICE

Visit [www.curtmfg.com](http://www.curtmfg.com) for a full-color copy of this instruction manual, as well as helpful videos, guides and much more!

Before you begin installation, read all instructions thoroughly.

Proper tools will improve the quality of installation and reduce the time required.

Periodic inspection of your product should be performed to ensure all hardware and / or components remain secure.

## Product Registration and Warranty

CURT stands behind our products with industry-leading warranties. To get copies of the product warranties, register your purchase or provide feedback, visit: [warranty.curtgroup.com/surveys](http://warranty.curtgroup.com/surveys)

# ASSEMBLY

## Parts List

Item	Qty	Description
1	2	Platform frame, half
2	1	Shank, 2"
3	2	Connecting plate
4	2	Lock nut, M12
5	2	Flat washer, M12
6	2	Hex bolt, M12 x 75mm
7	8	Lock nut, M10
8	8	Flat washer, M10
9	8	Carriage bolt, M10 x 20mm

## Step 1

Align the two platform halves (#1) on either side of the 2" shank (#2). Insert the two M12 hex bolts (#6) through the platform (#1), shank (#2) and other platform half (#1).

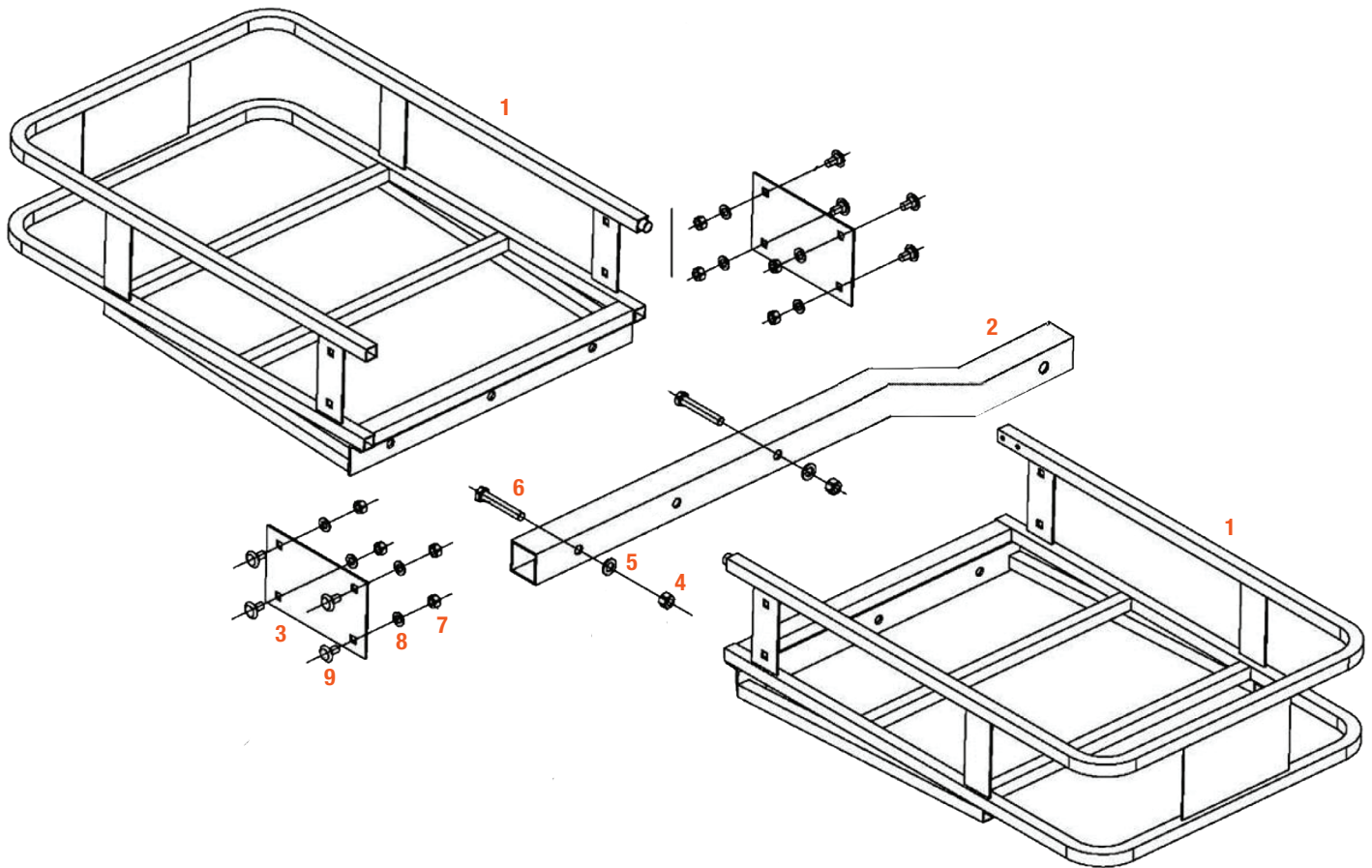
Install M12 flat washers (#5) and M12 lock nuts (#4) on the hex bolts (#6). Snug the hardware, but do not fully tighten.

## Step 2

Place the two connecting plates (#3) onto the front and back of the platforms (#1).

Insert the M10 carriage bolts (#9) through the outside of the platforms (#1) followed by the M10 flat washers (#8) and secure with M10 lock nuts (#7) to the inside of the platforms (#1).

Tighten all hardware to the recommended torque specifications on page 1.



## TOWING BASICS & SAFETY INFORMATION

For information on safely towing your trailer, visit [curtmfg.com/understanding-towing](http://curtmfg.com/understanding-towing).