

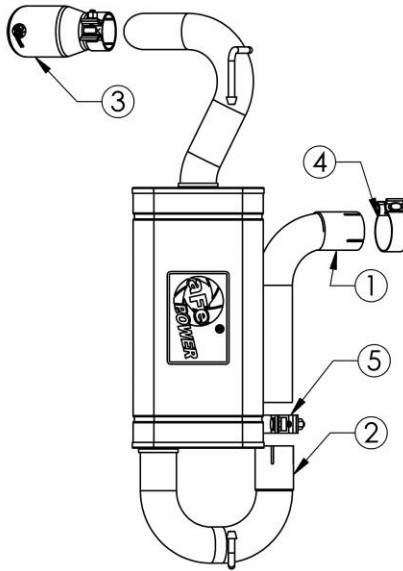


INSTALLATION INSTRUCTIONS

Axle-Back Exhaust

MAKE: Ford
MODEL: Bronco Sport
YEAR: 2021-2022
ENGINE: L3-1.5L(t)

49-33141-P
49-33141-B
49-33141

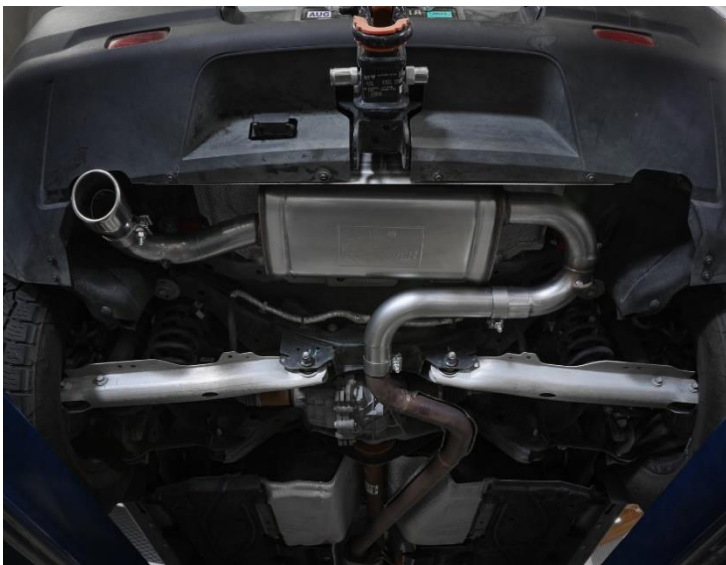


Item	Description	Part Number	Quantity
1	Connection Pipe	05-245317	1
2	Muffler Assembly	05-245319	1
3	EXH Tip 2-1/2 In x 3-1/2 Out x 6L Bolt-On Pol	49T25354-P06	1
3	EXH Tip 2-1/2 In x 3-1/2 Out x 6L Bolt-On Blk	49T25354-B06	1
4	Clamp, Band: 2-3/8" (Modified)	05-410616	1
5	Clamp, Band: 2-1/2"	05-41061	1

aFe POWER recommends professional installation on this product. Thoroughly inspect the aFe POWER exhaust system to make sure there is no damage from shipping (if damage is noted, immediately contact aFe POWER customer service). Allow time for your vehicle to cool down prior to installation. When working on your vehicle proceed with caution. Wear protective safety equipment; eye goggles and gloves to ensure a safe installation.

Install band clamps to proper torque specifications of 40-45 ft-lb.

Install V-band clamps with anti-seize lubricant and hand tighten only to torque specifications of 10-15 ft-lb.





INSTALLATION INSTRUCTIONS

Axle-Back Exhaust

MAKE: Ford
MODEL: Bronco Sport
YEAR: 2021-2022
ENGINE: L3-1.5L(t)

49-33141-P
49-33141-B
49-33141

1. **(Read instructions prior to installation.)** It is recommended to not fully tighten the exhaust until it has been fully installed. Leave loose for adjustability.
2. Secure vehicle on jack stands (refer to your manual for specified jack stand positions).
3. For faster installation, spread out the parts of the exhaust alongside your vehicle as shown in the diagram above.
4. Secure the stock exhaust with jack/stands.
5. Cut the Stock exhaust 2.5 inches from the tangent before the O.E. Muffler.
6. Slide the hangers holding the O.E. Muffler from the Rubber Isolator Mounts. Remove the O.E Muffler from the vehicle.
7. Install aFe Power Connection Pipe using the provided 2-3/8" Band Clamp.
8. Slide the aFe Power Muffler Assembly into the aFe Power Connection Pipe and secure with the provided 2.5" Band Clamp. Install hangers into Rubber Isolator Mounts.
9. Install aFe Power Exhaust Tip.
10. Ensure that all the components of the aFe POWER exhaust system are aligned and are at a safe clearance from all wires, hoses, brake lines, body parts, and tires.
11. Start from the front of the aFe exhaust system and evenly tighten all clamps and fasteners.
12. Start the vehicle and check for any leaks. If any leaks are found, determine cause and repair as necessary.
13. Remove vehicle from jacks stands.
14. It is recommended to re-tighten all clamps and hardware after 50-100 miles.