

# INSTALLATION INSTRUCTIONS

## PRO TRAXX 5 HITCH STEP



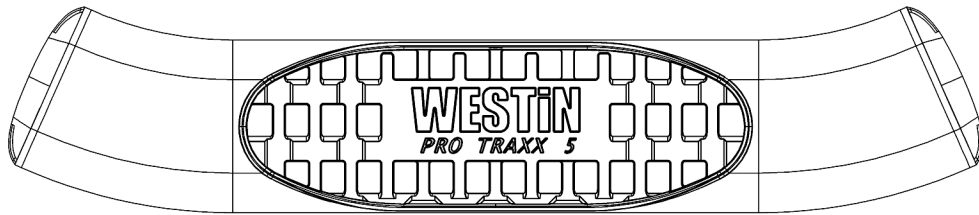
**APPLICATION:**  
Universal Fit on all 2" Receivers

**PART NUMBER:**  
21-50010, 21-50015

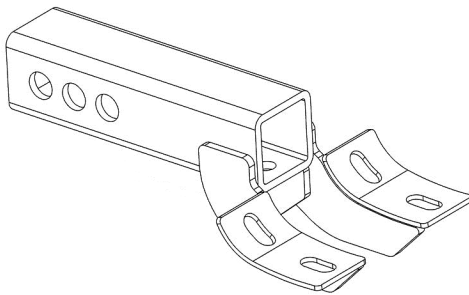
CONTENT			
ITEM	QUANTITY	DESCRIPTION	TOOLS NEEDED
1	1	STEP BAR	17MM SOCKET
2	1	HITCH BRACKET	19MM SOCKET
3	1	ANTI-RATTLE BRACKET	6MM ALLEN
4	1	M10 HEX HEAD BOLT (YELLOW ZINC)	RATCHET
5	1	M10 SPLIT LOCK WASHER (YELLOW ZINC)	TORQUE WRENCH
6	1	M10 FLAT WASHER (YELLOW ZINC)	
7	1	M12 HEX HEAD BOLT (BLACK ZINC)	
8	4	M10 BUTTON HEAD BOLT (BLACK ZINC)	
9	4	M10 TOOTH LOCK WASHER (BLACK ZINC)	
10	4	M10 FLAT WASHER (BLACK ZINC)	

**ANTI-SEIZE LUBRICANT MUST BE USED ON ALL STAINLESS STEEL FASTENERS TO PREVENT THREAD DAMAGE AND GALLING**

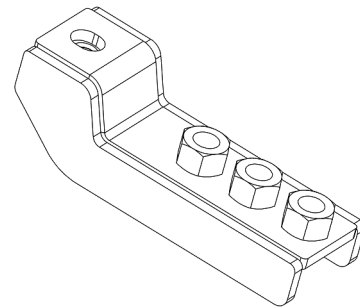
ITEM 1



ITEM 2



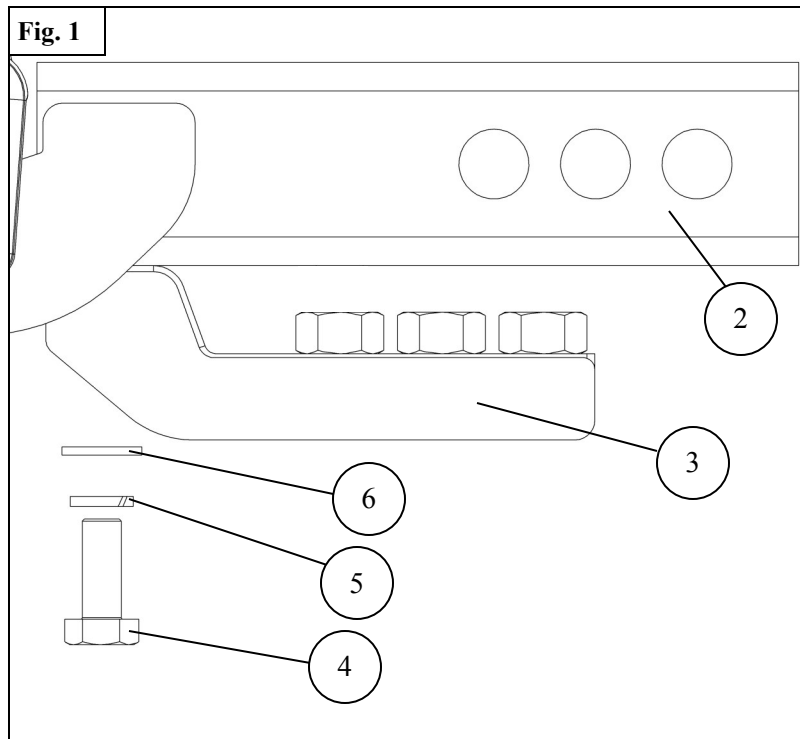
ITEM 3



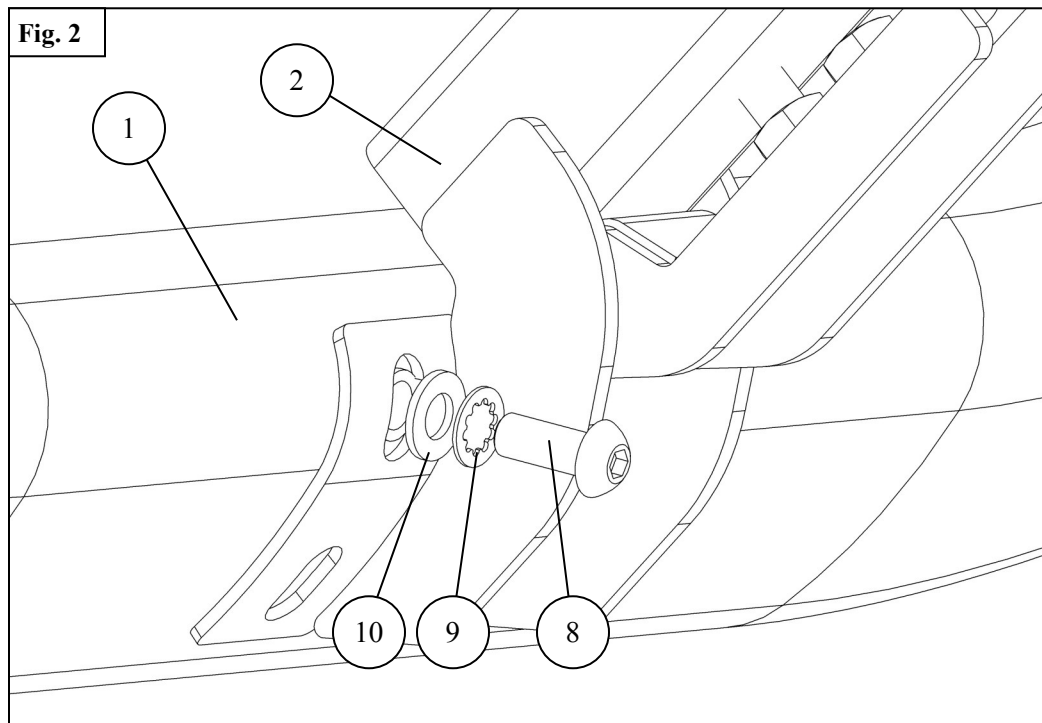
### PROCEDURE

1. Remove contents from box, verify if all parts listed are present and free from damage.  
Carefully read and understand all instructions before attempting installation.  
**Failure to identify damage before installation could lead to a rejection of any claim.**

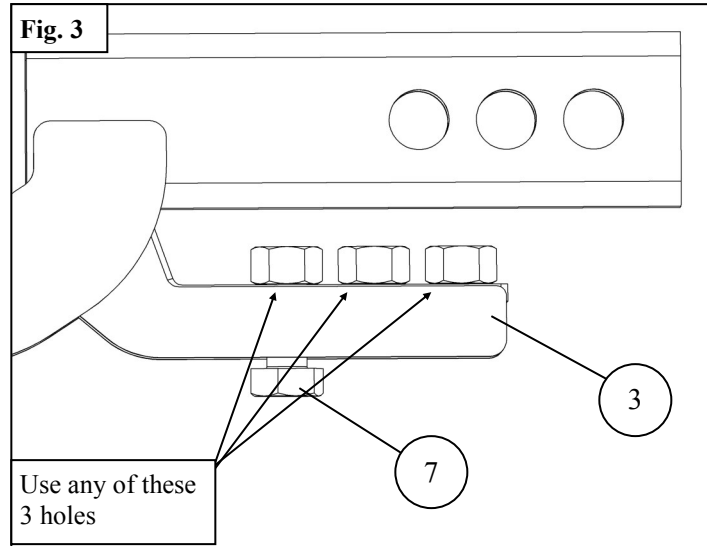
- Loosely assemble the Anti-Rattle Bracket (3) to the main bracket (2) using the supplied M10 hardware. See Figure 1.



- Slide the bracket assembly into the receiver hitch of your vehicle. Secure bracket using the receiver pin (not included).  
*Note: Secure the bracket assembly as far in the hitch as possible. Three sets of holes have been provided for adjustment.*
- Loosely assemble the step bar (1) and the hitch bracket (2) using the supplied M10 Hardware. See Figure 2.  
*Note: Four (4) M10 button head bolts, four (4) M10 tooth lock washers, and four (4) M10 flat washers are required for this step.*



5. Adjust the step bar and bracket as needed and torque down all installed hardware: M10 to 40 ft-lbs.
6. Install the M12 bolt into one of the three holes on the Anti-Rattle bracket. Use the best hole for your application. Tighten the M12 bolt until the step bar (1) and hitch bracket (2) are adequately secure. **See Figure 3.**



INSTALLATION COMPLETE



#### CARE INSTRUCTIONS

- REGULAR WAXING IS RECOMMENDED. DO NOT USE ANY TYPE OF POLISH OR WAX THAT MAY CONTAIN ABRASIVES.
- STAINLESS STEEL PRODUCTS CAN BE CLEANED WITH MILD SOAP AND WATER. STAINLESS STEEL POLISH SHOULD BE USED TO POLISH SMALL SCRATCHES.
- GLOSS BLACK FINISHES SHOULD BE CLEANED WITH MILD SOAP AND WATER.

**WESTIN** Westin Automotive Products, Inc.  
320 W. Covina Blvd  
San Dimas, Ca. 91773

Thank you for choosing Westin products  
for additional installation assistance please call  
Customer Service (800) 793-7846



## WARNING



Failure to follow these instructions could lead to death, personal injury, and / or property damage.

Failure to follow these instructions could lead to death, personal injury, and / or property damage.

### FASTENERS:

All Westin supplied fasteners must be utilized and installed in accordance with the installation instructions and apply torque to the specifications as defined. **DOUBLE CHECK ALL FASTENERS BEFORE INITIAL USE, AND PERIODICALLY IN THE FUTURE TO ENSURE PROPER FUNCTION AND SAFETY.**

### DRILLING:

Most Westin products do not require drilling for installation. If drilling is defined as required, use caution when drilling a vehicle. **FAILURE TO REVIEW AN AREA TO BE DRILLED MAY RESULT IN PERSONAL INJURY AND/OR INJURY TO OTHERS AS WELL AS VEHICLE DAMAGE.**

### EYE PROTECTION:

**ALWAYS WEAR SAFETY GLASSES OR GOGGLES DURING THE INSTALLATION PROCESS TO AVOID PERSONAL INJURY.**

### MAXIMUM TOWING/CARRYING CAPACITY: (if applicable)

The Westin Receiver Hitches will have a visible tow rating label affixed directly on the product. User should never exceed the vehicle manufacturers maximum tow and weight rating regardless of the capacity of the hitch. **FAILURE TO FOLLOW THESE GUIDELINES WILL VOID THE WESTIN WARRANTY AND MAY RESULT IN PERSONAL INJURY AND/OR INJURY TO OTHERS AS WELL AS VEHICLE DAMAGE.**

### FOR CALIFORNIA RESIDENTS ONLY-PROP 65 WARNING:

Some products may contain chemicals such as DEHP, which can cause cancer, birth defects or other reproductive harm. For more info go to [www.p65warnings.ca.gov](http://www.p65warnings.ca.gov)



Westin Automotive Products, Inc.  
320 W. Covina Blvd  
San Dimas, Ca. 91773