

Fairlead License Plate Mount

Thank you for choosing Rough Country for all your vehicle needs.

Please read instructions before beginning installation. Check the kit hardware against the kit contents shown below. Be sure you have all needed parts and know where they go.

If question exist, please call us @1-800-222-7023. We will be happy to answer any questions concerning this product.

Check all fasteners for proper torque. Check to ensure for adequate clearance between all components.

Periodically check all hardware for tightness.

KIT CONTENTS:

1- Fairlead License Plate Mount

TOOLS NEEDED:

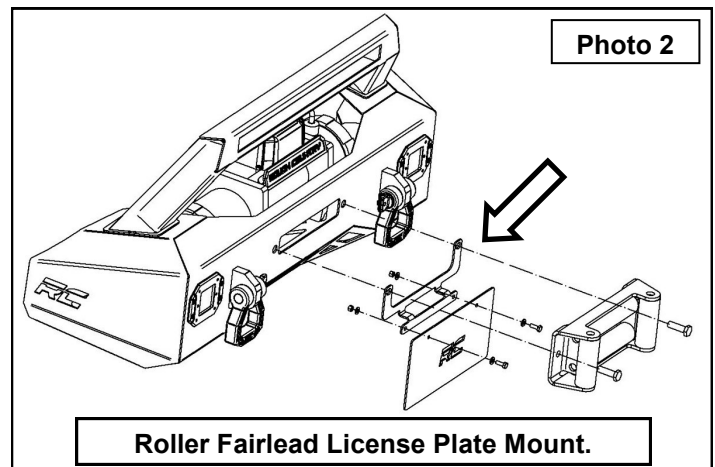
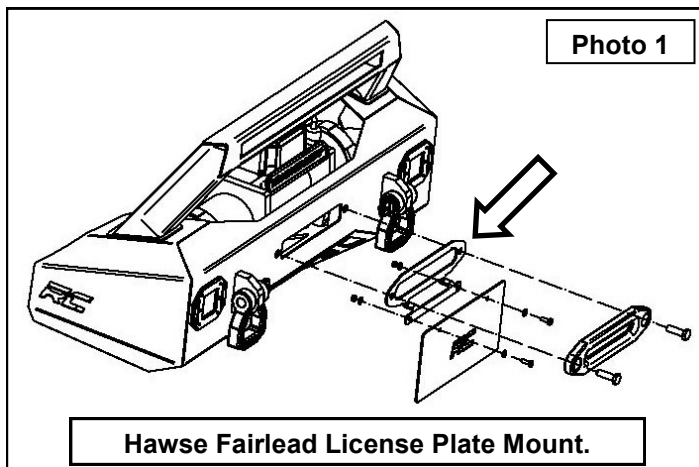
18mm Wrench
19mm Socket
7/16 Wrench and Socket

HARDWARE INCLUDED:

1/4-20 x3/4 Bolts X2
1/4-20 Nylock Nuts X2
1/4 Flat SAE Washers X4
M12-1.75 x35mm Bolts X2

INSTALLATION INSTRUCTONS

1. Install the license plate mount onto the winch plate.
2. Install the Roller or Hawse fairlead onto the license plate mount and secure with the supplied M12-1.75 x 35mm bolts, use the lock washers, flat washers and nuts supplied with the winch kit, torque to 55 ft-lbs. using a 19mm socket and a 18mm wrench.
3. Install the license plate onto the mount, secure using the supplied 1/4-20 x 3/4 bolts, flat washers and nylock nuts, tighten using a 7/16 wrench and socket.
4. Illustration in **Photo 1** shows the hawse fairlead mount.
5. Illustration in **Photo 2** shows the roller fairlead mount.



By purchasing any item sold by Rough Country, LLC, the buyer expressly warrants that he/she is in compliance with all applicable , State, and Local laws and regulations regarding the purchase, ownership, and use of the item. It shall be the buyers responsibility to comply with all Federal, State and Local laws governing the sales of any items listed, illustrated or sold. The buyer expressly agrees to indemnify and hold harmless Rough Country, LLC for all claims resulting directly or indirectly from the purchase, ownership, or use of the items.