



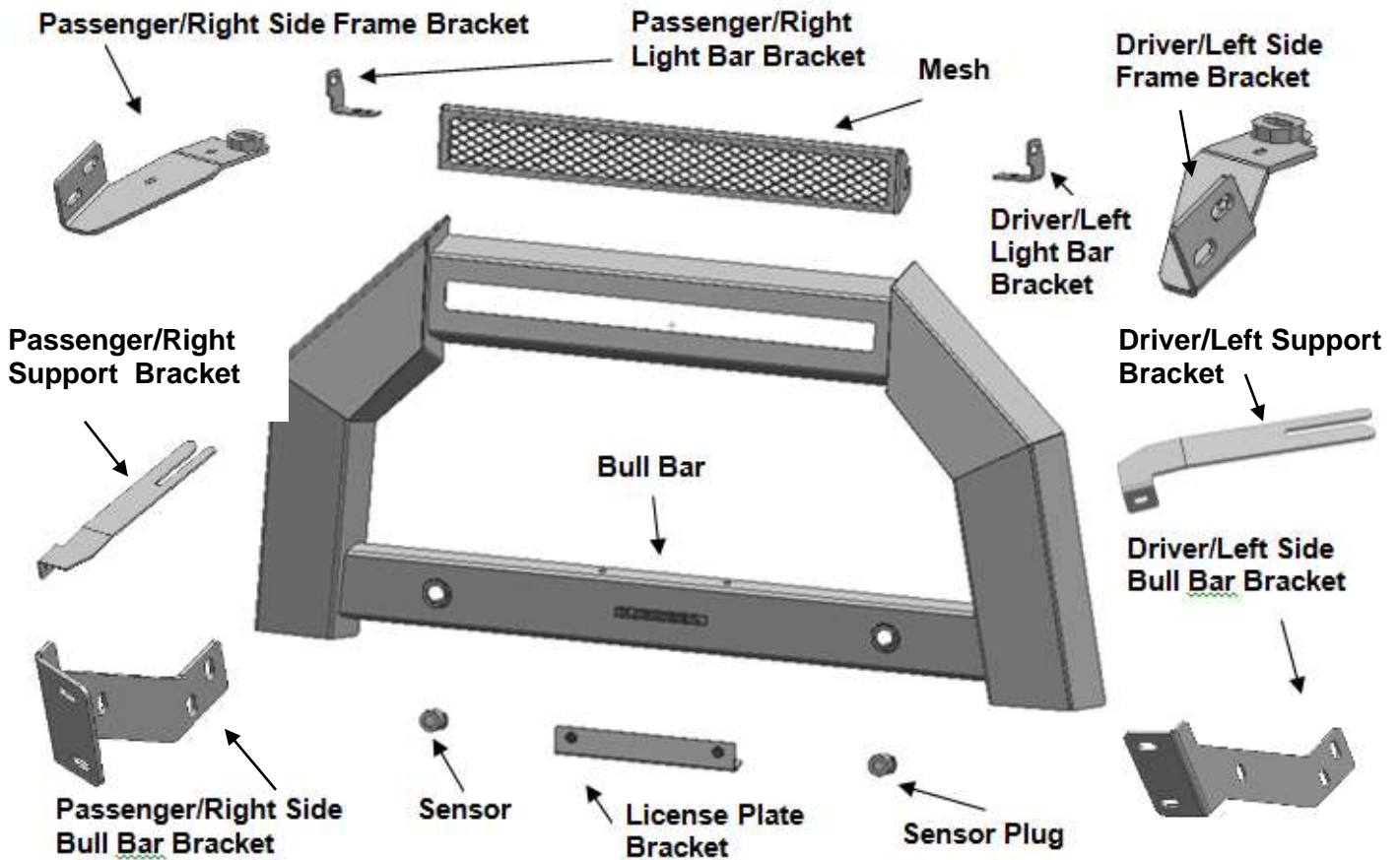
TEL: 1-866-XANATOS

INSTALLATION INSTRUCTIONS

**ARMOUR BULL BAR
2021-2023 FORD BRONCO
PART# F06**

PARTS LIST:

1	Bull Bar	2	Retaining Clip
1	Driver/Left Side Frame Bracket	2	Foam Washer 15.5*25*2
1	Passenger/Right Side Frame Bracket	2	Foam Washer 20*10
1	Driver/Left Side Mounting Bracket	2	8-1.25mm x 16mm Hex Bolt
1	Passenger/Right Side Mounting Bracket	2	8mm Hex Nut
1	Driver/Left Support Bracket	2	8mm Nylon Lock Nut
1	Passenger/Right Support Bracket	8	8mm x 24mm x2mm Flat Washer
1	Driver/Left Side Light Bar Bracket	4	8mm Lock Washer
1	Passenger/Right Side Light Bar Bracket	2	8-1.25mm x 20mm Hex Bolt
1	Mesh	4	6mm x 18mm x 1.6mm Flat Washer
1	License Plate Bracket	2	6mm Lock Washer
2	Rubber Sensor Plug	2	6mm Hex Nut
6	10mm Nylon Lock Nut	2	6-1.0mm x 20mm Combo Bolt
6	10-1.5mm x 30mm Hex Bolt	2	6-1.0mm x 20mm Button Head Bolt
2	10-1.5mm x 40mm Hex Bolt	4	4-1.0mm x 10mm Button Head Bolt
18	10mm x 30mm x 2.5mm Flat Washer	1	Wrench S=4
6	10mm Lock Washer	1	Wrench S=2.5
4	10-1.5mm x 25mm Hex Bolt		



PROCEDURE:

REMOVE CONTENTS FROM BOX AND VERIFY ALL PARTS ARE PRESENT. READ INSTRUCTIONS CAREFULLY. CUTTING MAY BE REQUIRED. INSTALLATION MAY INTERFERE WITH FRONT MOUNTED SENSORS. NOTE: It may be necessary to remove/relocate front license plate and license plate bracket. It is not required, but strongly recommended. If local/state law requires a front license plate, license plate relocation kit is available.

1. Start installation from under the front of the vehicle. Pay close attention to the type and location of all factory hardware for reinstallation.
2. Determine if the vehicle is equipped with tow hooks. Remove the plastic cover attached to the tow hook, **(Figure 1)**. **IMPORTANT:** Tow hooks cannot be reinstalled with the Bull Bar.
3. Next, Remove the (3) factory hex bolts attaching the bumper to the bumper bracket. Select the driver/left Frame Mounting Bracket. Attach the Bracket to the back of the bumper with (1) 10-1.5mm x 40mm Hex Bolts, (1) 10mm Lock Washer and (1) 10mm x 30mm x 2.5mm Flat Washer, **(Figure 2)**.
4. Line up the lower end of the Support Bracket with the slot in the Frame Bracket. Attach the Support Bracket to the Frame Bracket with (1) 10-1.5mm x 30mm Hex Bolts, (2) 10mm x 30mm x 2.5mm Flat Washer and (1) 10-1.5mm Nylon Lock Nut **(Figure 3)**.
5. Then, select the driver/left Bull Bar Bracket **(Figure 4)**. Attach the Bull Bar Bracket to the outside of the Frame Bracket with (2) 10-1.5mm x 30mm Hex Bolts, (4) 10mm x 30mm x 2.5mm Flat Washer and (2) 10-1.5mm Nylon Lock Nut **(Figure 4)**.
6. Repeat **Steps 1—4** to install the passenger/right Frame Bracket, Bull Bar Bracket and Support Bracket.
7. Relocation of front license plate is not required, but strongly recommended. Attach the License Plate Bracket to the Bull Bar with (2) 6mm Button Head Bolts, (4) 6mm Flat Washers, (2) 6mm Lock Washers and (2) 6mm Hex Nuts, **(Figure 5)**. Use (2) 6mm Combination Bolts to attach the front license plate to the Bracket, **(Figure 5)**.
8. **Mesh and LED Light installation, (LED light sold separately)**. Select the driver/left side Light Bar Bracket. Attach the Bracket to the back of the mounting plate on the Bull Bar with (1) 8mm x 20mm Hex Bolt, (2) 8mm Flat Washers, (1) 8mm Lock Washer and (1) 8mm Hex Nut, **(Figure 6)**. Repeat this step to attach the passenger/right side Light Bar Bracket to the back of the Bull Bar. Do not tighten hardware.

LED Light Installation

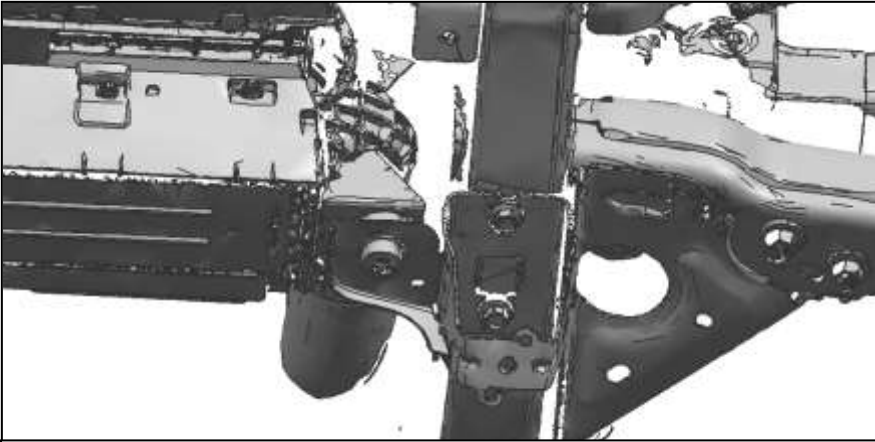
- a. Use (2) 8mm x 16mm Hex Bolts, (2) 8mm Lock Washers and (2) 8mm Flat Washers to attach the Light Bar Brackets to the Bull Bar, **(Figure 7)**.
- b. Follow the light manufacturer's instructions to attach the Bull Bar.
- c. Follow light manufacturer's instructions to properly wire the Bull Bar.

Mesh installation

- a. Use (2) 8mm x 16mm Hex Bolts, (4) 8mm Flat Washers, (2) 8mm Lock Washers and (2) 8mm Nylon Lock Nuts to attach the Mesh to the inside surface of the Light Bar Brackets, **(Figure 8)**.
- b. Level and adjust the Brackets to the Mesh Panel and fully tighten hardware.
9. With assistance, hold up the assembled Bull Bar to the Bull Bar Brackets. Align the (2) bottom holes on the Uprights with the Brackets. Bolt the assembled Bull Bar to the Brackets with (4) 10mm x 25mm Hex Bolts, (4) 10mm Lock Washers and (4) 10mm x 30mm Flat Washers, **(Figures 9)**.
10. Level and adjust the Bull Bar properly and tighten all hardware.
11. Select the (2) Sensor Plugs. Push the sensor plugs into the sensor sleeves behind the Bull Bar **(Figure 10)**.
12. Level and adjust the Bull Bar properly and tighten all hardware. Reinstall the tow hook if removed.
13. Do periodic inspections to the installation to make sure that all hardware is secure and tight.

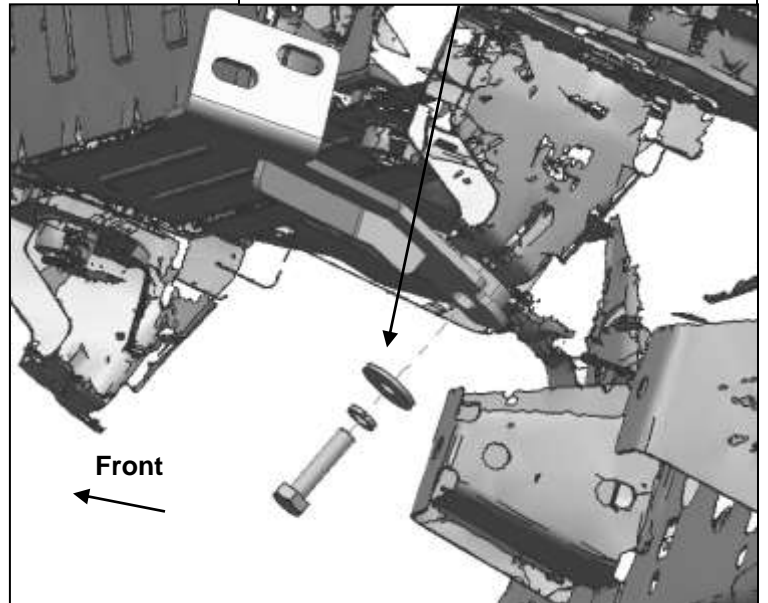
To protect your investment, wax this product after installing. Regular waxing is recommended to add a protective layer over the finish. Do not use any type of polish or wax that may contain abrasives that could damage the finish. Mild soap may be used to clean the Bull Bar.

Driver/left Side Installation Pictured



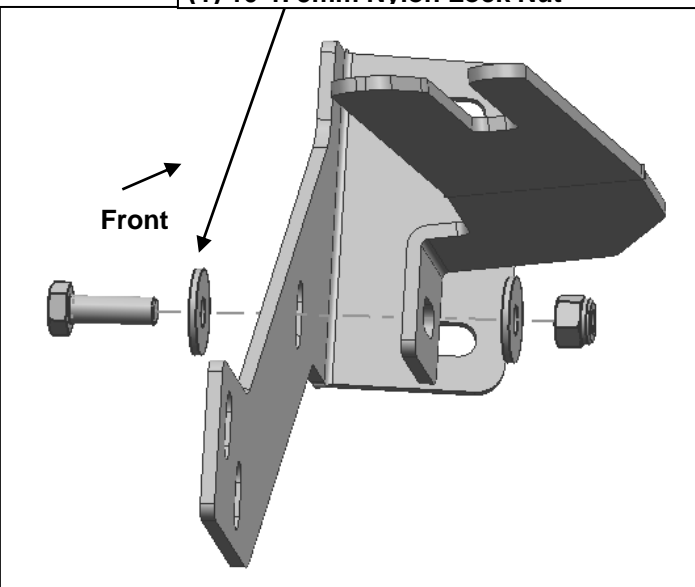
(Fig 1) Start installation from under the front of the vehicle

- (1) 10-1.5mm x 40mm Hex Bolts
- (1) 10mm Lock Washer
- (1) 10mm x 30mm x 2.5mm Flat Washer



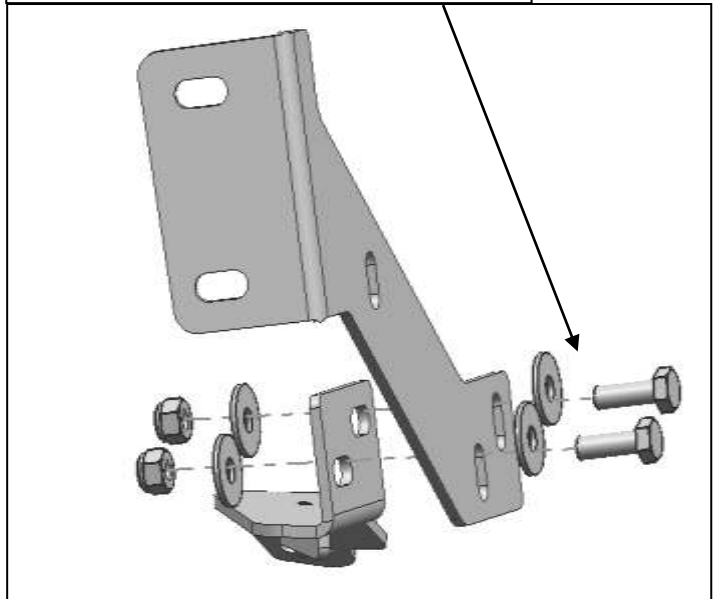
(Fig 2)

- (1) 10-1.5mm x 30mm Hex Bolts
- (2) 10mm x 30mm x 2.5mm Flat Washer
- (1) 10-1.5mm Nylon Lock Nut



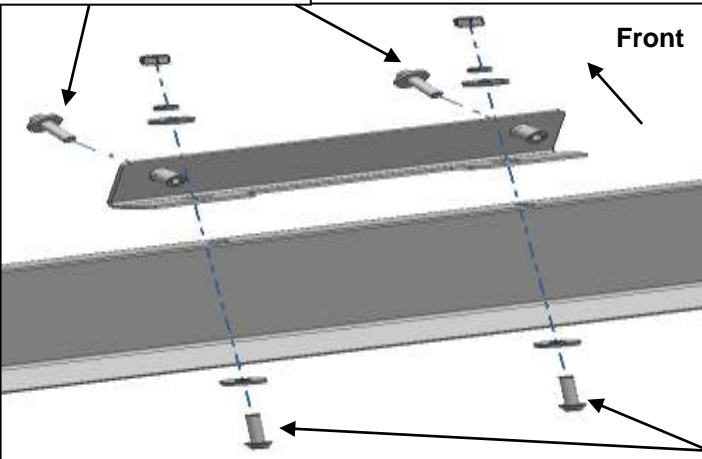
(Fig 3) Driver/left side Support Bracket attached to factory bolt and Frame Bracket

- (2) 10-1.5mm x 30mm Hex Bolts
- (4) 10mm x 30mm x 2.5mm Flat Washer
- (2) 10-1.5mm Nylon Lock Nut



(Fig 4) Attach driver/left Bull Bar Bracket to outside of Mounting Bracket

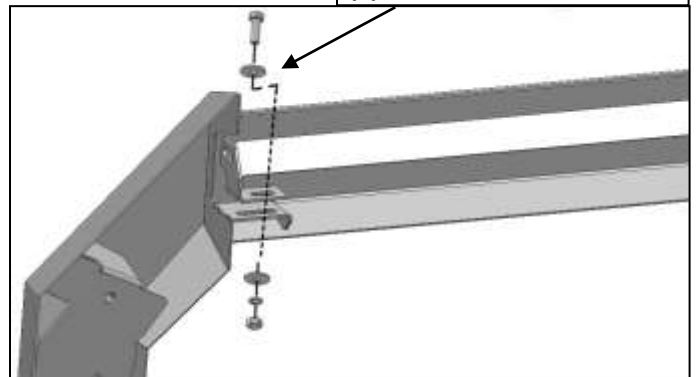
- (2) 6mm Combo Bolts



(Fig5) License Plate Bracket attached to the Bull Bar

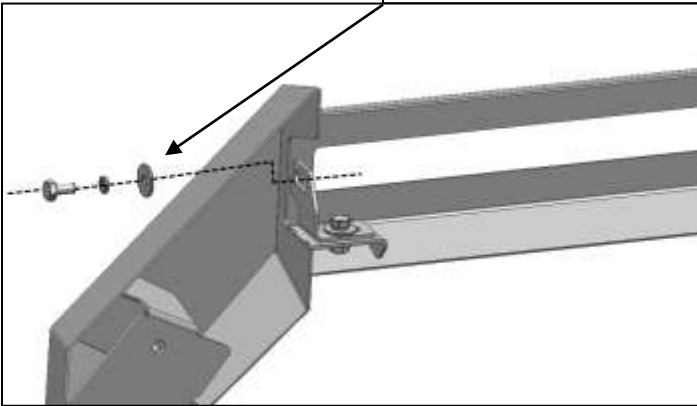
- (2) 6mm Button Head Bolts
- (4) 6mm Flat Washers
- (2) 6mm Lock Washers
- (2) 6mm Hex Nuts

- (1) 8mm x 20mm Hex Bolt
- (2) 8mm Flat Washers
- (1) 8mm Lock Washer
- (1) 8mm Hex Nut



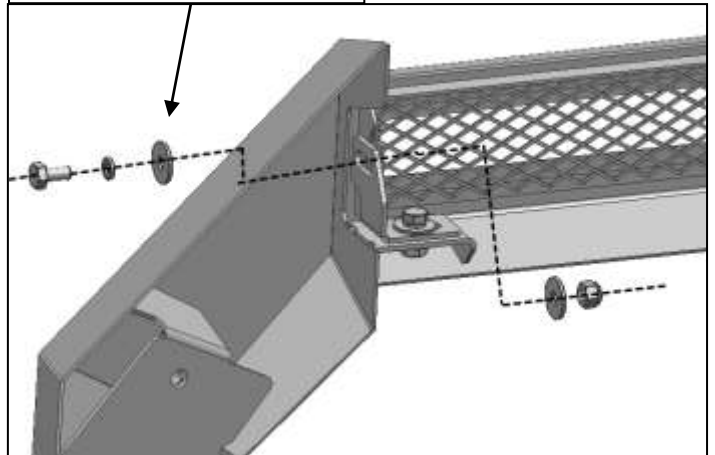
(Fig 6) Driver side light bar Bracket attached to the Bull Bar

8mm x 16mm Hex Bolt
8mm Lock Washer
8mm Flat Washer



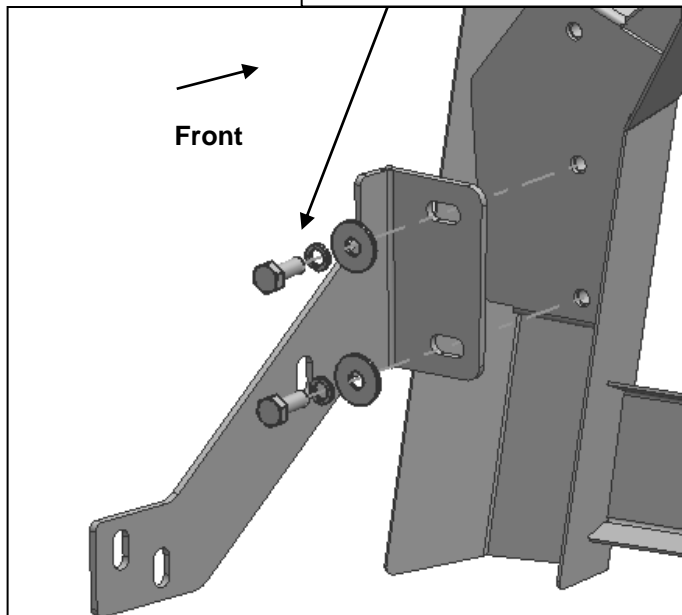
(Fig 7) Driver side light bar Bracket attached to the Bull Bar hardware

(1) 8mm x 16mm Hex Bolt
(2) 8mm Flat Washers
(1) 8mm Lock Washer
(1) 8mm Nylon Lock Nuts

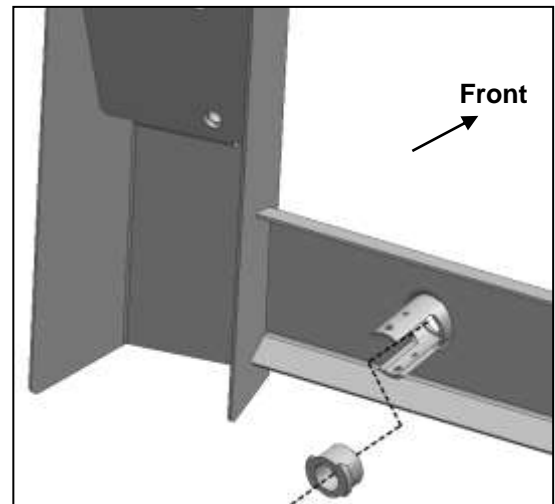


(Fig 8) Driver side light bar Bracket attached to Mesh hardware

(2) 10mm x 25mm Hex Bolts
(2) 10mm Lock Washers
(2) 10mm Flat Washers



(Fig 9) Attach Bull Bar Bracket to back of Bull Bar



(Fig 10) Attach Sensor Plug into Sensor Sleeve