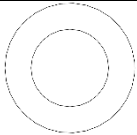


FK110 FORD BRONCO

FRONT STRUT SHIM KIT

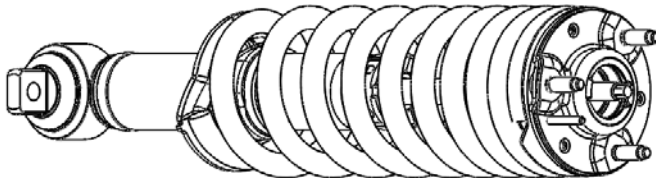
- Allows vehicle shimming by 7mm at the wheel.
- Limit 2 per side.

KIT CONTENTS

Part No.	Description	Qty	Picture
3195465	PLATE SPACER FRONT STRUT	4	

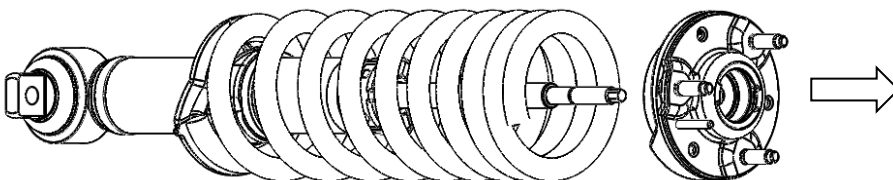
FITMENT PROCEDURE – FRONT STRUT SHIM KIT

1. REMOVE STRUT FROM VEHICLE.



2. REMOVE TOP HAT AND SEPARATE COIL ISOLATOR, INSERT REQUIRED SHIMS.

- 1 SHIM = 3.5MM AT WHEEL
- 2 SHIMS = 7MM AT THE WHEEL



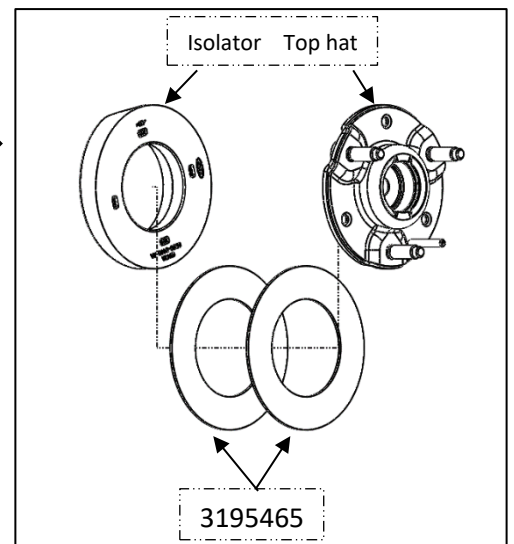
3. REASSEMBLE STRUT AND INSTALL INTO VEHICLE

NOTE

- DO NOT USE MORE THAN 2 SHIMS PER STRUT
- DO NOT USE ON REAR STRUT

 **IMPORTANT NOTE**

SHIMS MUST BE FITTED BETWEEN COIL ISOLATOR AND TOP HAT.



REVISION					
REV	DESCRIPTION	PREPARED BY	APPROVED BY	DATE	ECN No.
A	Release to production	SSPENCER		21/12/21	